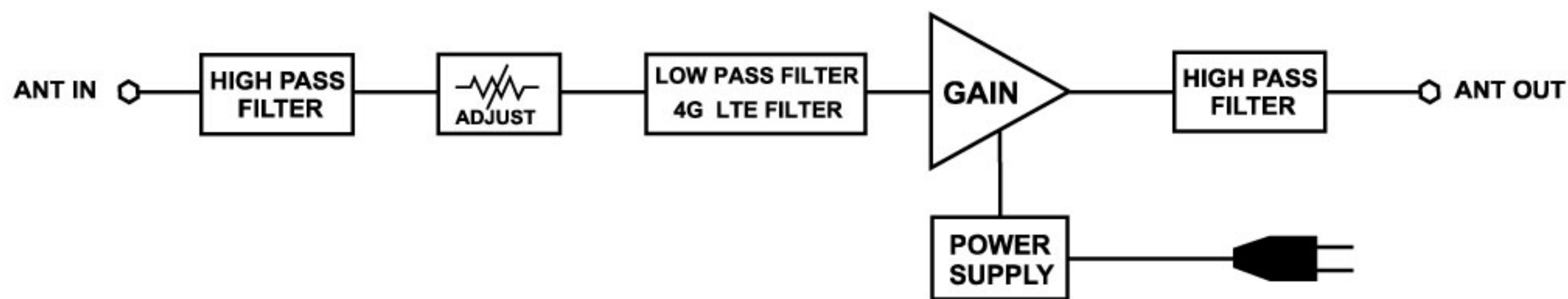


Digital Booster : ID-U40LTE/S

สำหรับขยายสัญญาณทีวีดิจิตอลใช้ได้ทุกพื้นที่ทั่วประเทศ

Features :

- 4G LTE CUT (790MHz Low Pass Filter)
- Low Noise Digital TV Signal Booster Design
- High Signal to Noise Ratio (SNR)
- High Sensitivity Minimum Input Signal 22 dBuV
- Design good for multi switch and indoor usage
- AC Power Supply (220V-240V) usage
- Steel Housing Design



Digital Booster : ID-U40LTE/S Block Diagram

Specifications

Item	ID-U40LTE/S
Digital TV Input Frequency Range	UHF 470 - 790 MHz
RF Port Input/Output Impedance	75 Ohm
Digital TV Insertion Gain	40dB ± 2 dB
Noise Figure	< 8 dB
4G LTE CUT (790MHz Low Pass Filter)	- 50 dB
Signal Input min/max	22/90 dBuV
Current Consumption	110 mA
Output max	110 dBuV
Input/Output Adjustable	- 20 dB
Power Supply	220-240 VAC
Ambient temperature	-20 ~ 50 °C
Dimensions(w,d,h) mm	112 x 143 x 47