

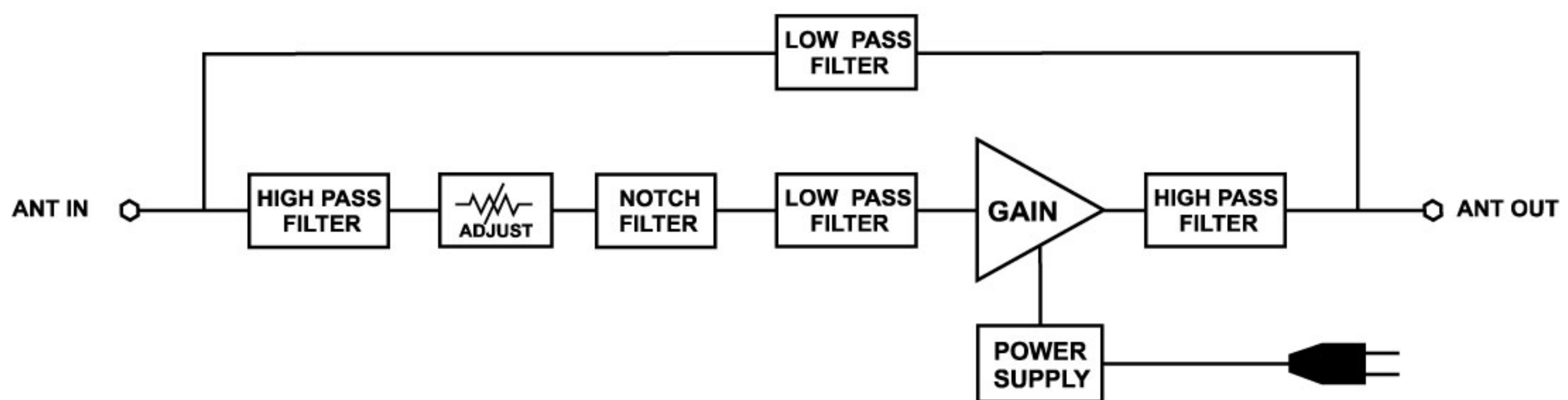
MODEL : ID-2932C/AC

**Digital Booster : ID-2932C/AC**

สำหรับพื้นที่กรุงเทพมหานครและปริมณฑล

**Featrues:**

- Analog TV (U28-U33) Notch Filter Design
- Low Noise Digital TV Signal Booster Design
- High Signal to Noise Ratio (SNR)
- High Sensitivity Minimum Input Signal 22 dBuv
- Design good for multi switch and indoor usage
- AC/DC Power Pass (1A)
- Plastic and steel housing design
- AC Power Supply (220V-240V) usage



Digital Booster : ID-2932C/AC Block Diagram

**Specifications**

| Item                           | ID-2932C/AC       |
|--------------------------------|-------------------|
| Analog TV Frequency Range      | VHF DC - 300 MHz  |
| Digital TV Frequency Range     | UHF 470 - 860 MHz |
| RF Port Input/Output Impedance | 75 Ohm            |
| Analog TV Insertion Loss       | < 2 dB            |
| Digital TV Insertion Gain      | 20 dB ± 2 dB      |
| Noise Figure                   | < 2 dB            |
| Signal Input min/max           | 22/90 dBuv        |
| Current Consumption            | 70 mA             |
| Output max                     | 90 dBuv           |
| Input/Output Adjustable        | - 20 dB           |
| Power Supply                   | 220-240 VAC       |
| Ambient temperature            | -20 ~ 50 °C       |
| Dimensions(w,d,h) mm           | 112 x 143 x 47    |