

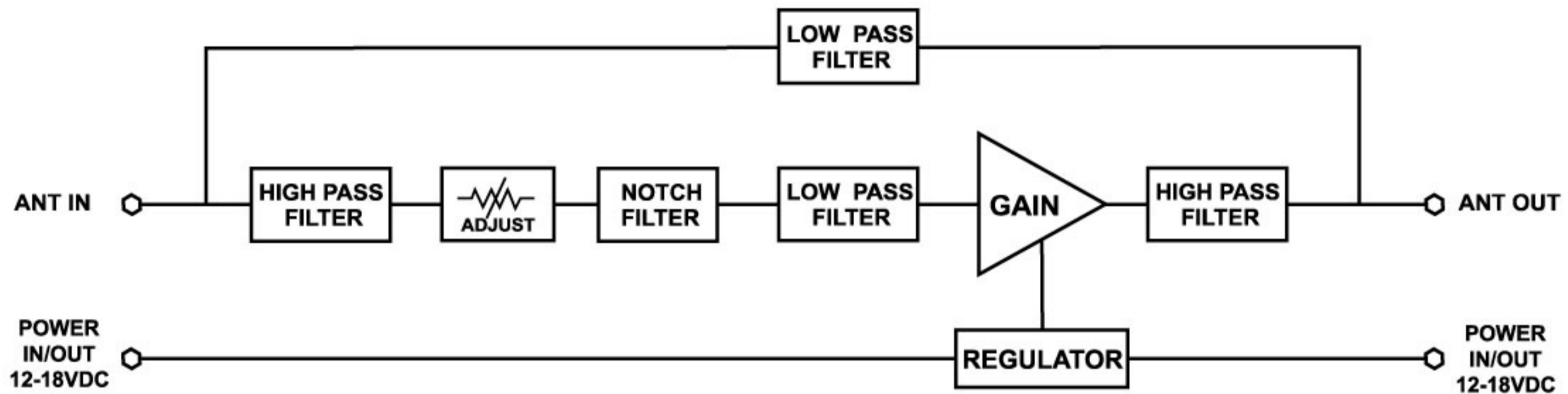
MODEL : ID-2932C/AD

Digital Booster : ID-2932C/AD

สำหรับพื้นที่กรุงเทพมหานครและปริมณฑล

Featrues:

- Analog TV (U28-U33) Notch Filter Design
- Low Noise Digital TV Signal Booster Design
- High Signal to Noise Ratio (SNR)
- High Sensivity Minimum Input Signal 22 dBuv
- Zinc steel die cast housing with External adaptor
- Design good for multi switch and indoor usage



Digital Booster : ID-2932C/AD Block Diagram

Specifications

Item	ID-2932C/AC
Analog TV Frequency Range	VHF DC - 300 MHz
Digital TV Frequency Range	UHF 470 - 860 MHz
RF Port Input/Output Impedance	75 Ohm
Analog TV Insertion Loss	< 2 dB
Digital TV Insertion Gain	20 dB ± 2 dB
Noise Figure	< 2 dB
Signal Input min/max	22/90 dBuv
Current Consumption	70 mA
Output max	90 dBuv
Input/Output Adjustable	- 20 dB
Power Supply Input/Output Port	12-18VDC
Ambient temperature	-20 ~ 50°C
Dimensions(w,d,h) mm	95 x 111 x 28