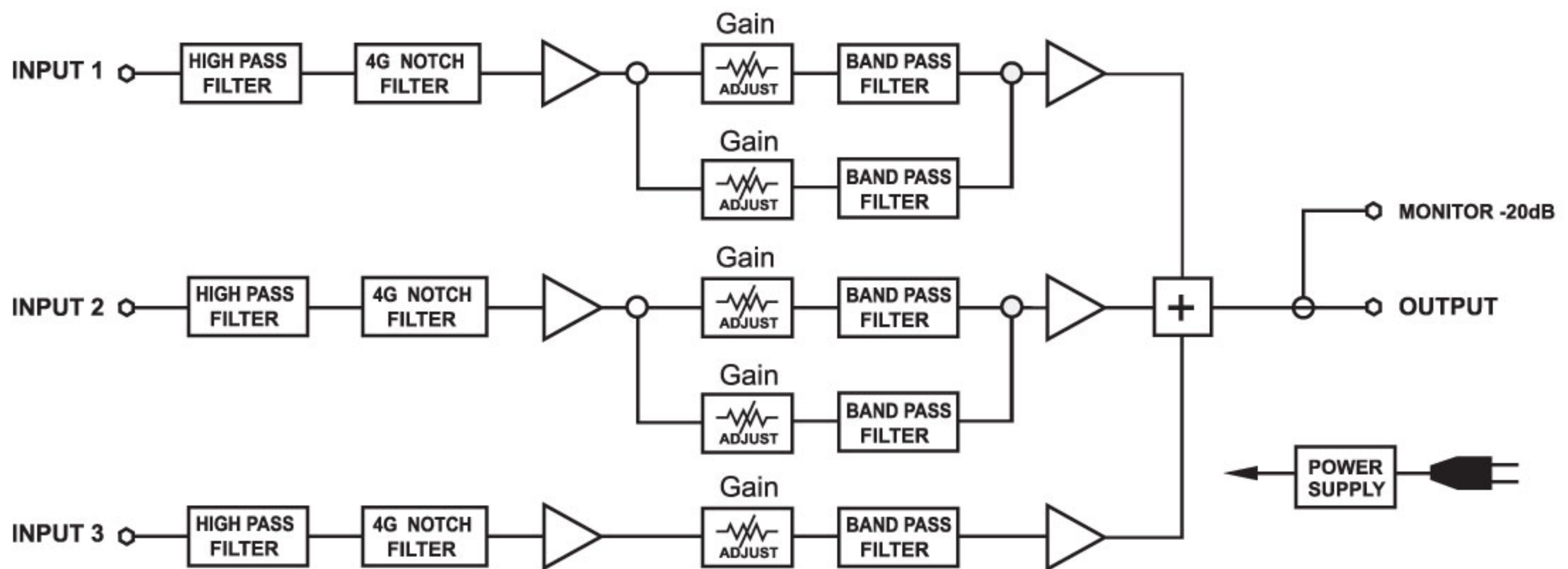
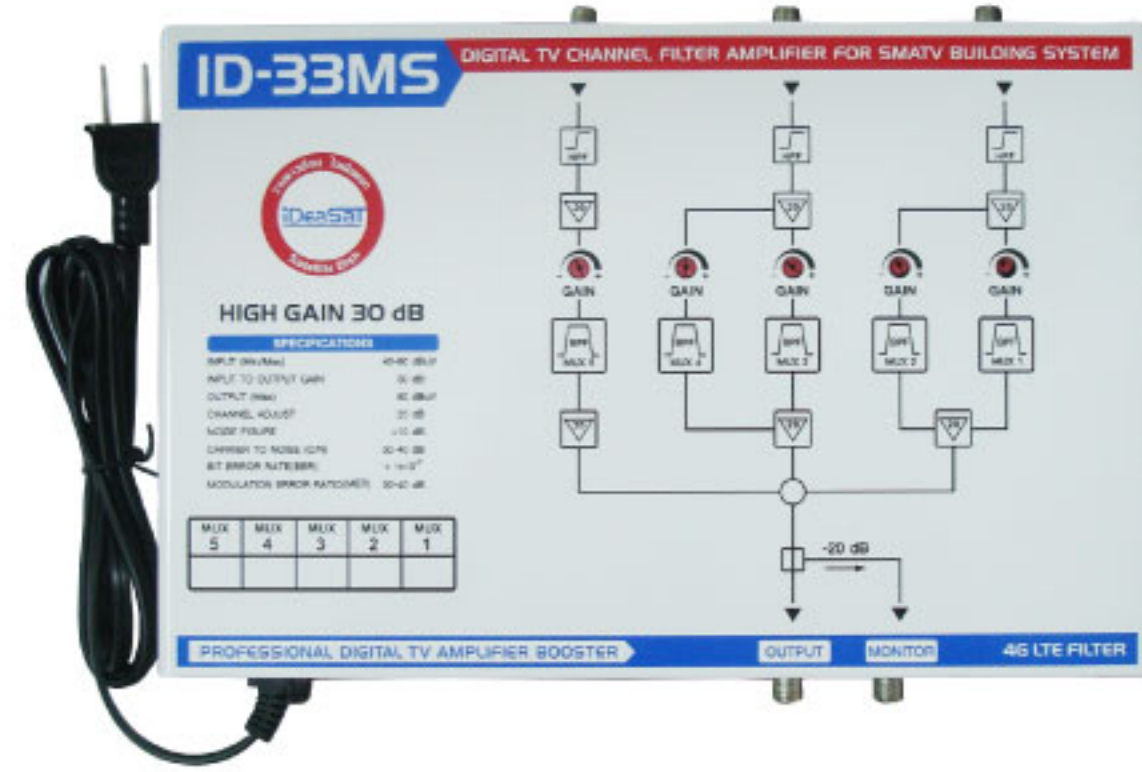


**Digital TV Channel Filter Amplifier :ID-33MS**

สำหรับขยายสัญญาณทีวีดิจิตอลเฉพาะช่องความถี่

**Features :**

- 3 Input From Digital Antenna
- 5 MUX Level Adjustable
- Gain 30 dB for SMATV Building System
- High Sensitivity Minimum Input Signal 35dBuv
- Low Noise Digital TV Signal Booster Design
- High Level Carrier to Noise Ratio C/N
- Product of Steel Housing Design
- AC Power Supply (220V-240V) usage



**Digital TV Channel Filter Amplifier : ID-33MS Block Diagram**

**Specifications**

3 Input Frequency Range	UHF 470MHz - 790 MHz
5 MUX Channel Frequency(made to order)	Bandwidth 8 MHz
5 MUX Adjustable Power Gain	30 dB ± 2 dB
RF Port Input/Output Impedance	75 Ohm
Noise Figure	< 6 dB
Gain Adjust	20 dB
Output Max(5MUX)	80 dBuv
Current Consumption	180 mA
Power Supply	220-240 VAC
Ambient temperature	-20 ~ 50 °C
Dimensions(w,d,h) mm	300 x 210 x 52