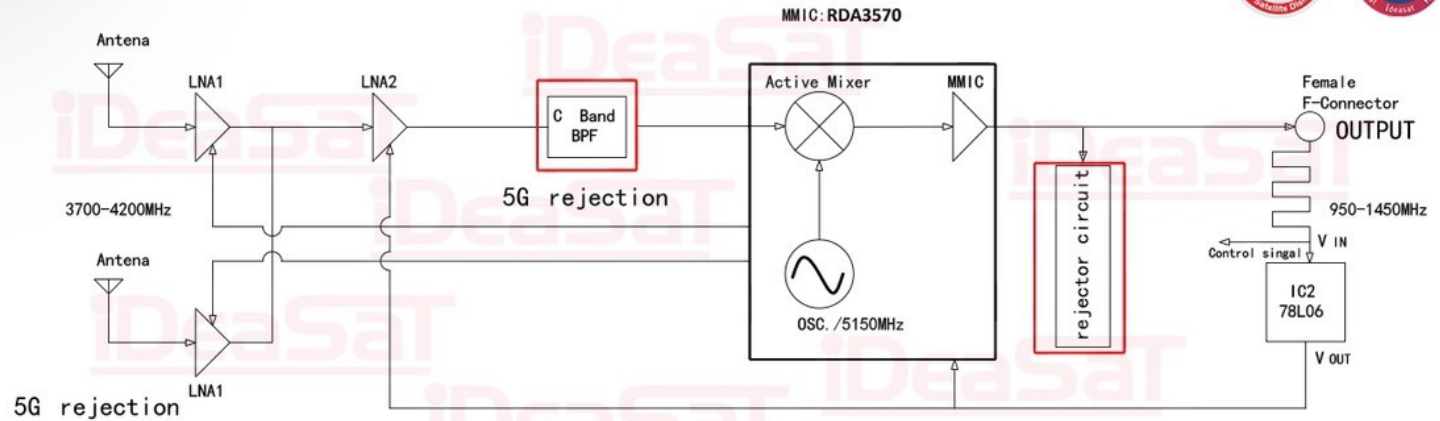


ID-800 (5G)

V/H VOLTAGE SWITCH C-BAND LNBF



Specification

| | | | |
|--|---|---------------------------------------|-------------------|
| Noise Temperature Maximum | : 13° K | Input VSWR | : 2.5 : 1 |
| Typical Gain | : 63 dB | Output VSWR | : 2.5 : 1 |
| Minimum Gain | : 55 dB | Gain Flatness | : ± 1 dB / 36 MHz |
| Maximum Gain | : 70 dB | Image Rejection | : 40 dB |
| Gain Flatness | : 6 dB | Current Consumption (for 13v and 18v) | : 110 mA(MAX) |
| Cross Polarization Minimum | : 20 dB MIN | Temperature Operation range | : -30°C - +70°C |
| Input Frequency range | : 3.7 GHz - 4.2 GHz | Temperature Storage range | : -40°C - +80°C |
| Output Frequency range | : 950 MHz - 1450 MHz | Relative Humidity range | : 0% - 95% |
| Local Oscillator Frequency | : 5150 MHz | Dimensions (mechanical drawing) | : 183mm*60mm |
| Local Oscillator Stability in 25°c | : 5150 MHz (±) | Number of output connections | : ONE |
| Return Loss (Form 950 MHz to 1750 MHz in 100 MHz Steps) | : 10 dB (TPY) | Type of output connections | : "F" TYPE FEMALE |
| Phase Noise at 1 kHz 10 kHz and 100 kHz (if multipoint for Vertical and Horizontal LO frequencies) | : -65dBc/Hz@1KHz -85dBc/Hz@10KHz -95dBc/Hz@100KHz | Impredance of output connections | : 75 OHMS |

02-9355-768-9



จกควทกยมโอดยชช



idesat@hotmail.com



@ideasat