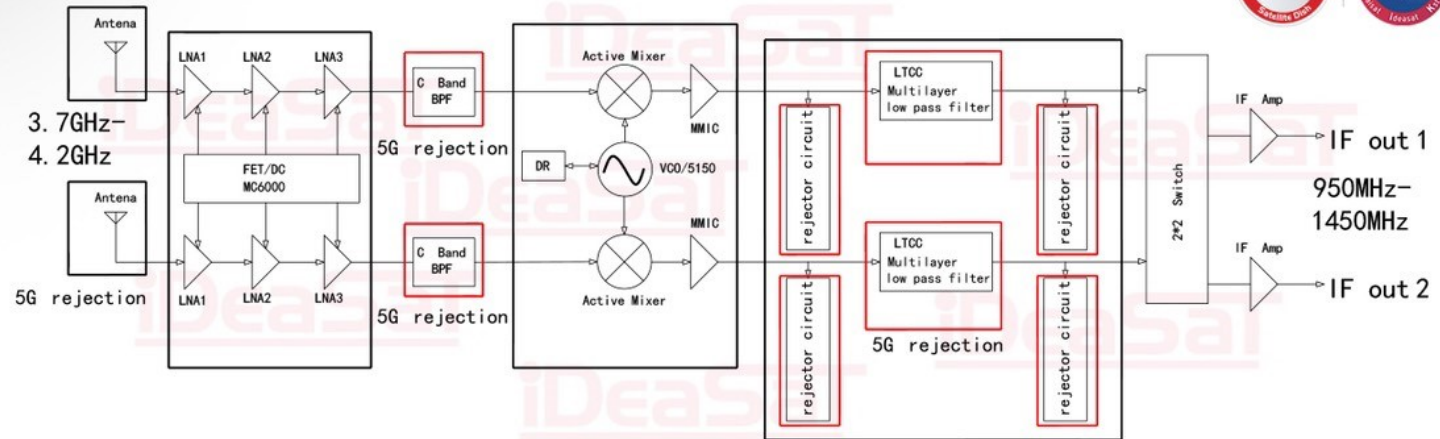


ID-920 (5G Filter)

V/H VOLTAGE SWITCH C-BAND LNB



Specification

Input Frequency	: 3.7-4.2GHz	Output VSWR	: 2.5:1
Output Frequency	: 950~1450MHz	Output Spurious	: -60dBm(Max)
L.O Frequency	: 5.150GHz	Noise Temperature	: 12°K(Max)
Frequency Stability	: ± 2 MHz(-40°C~+70°C)	Power Supply	: 11-22V/150mA(Max)
Local Leakage Input	: -45dBm	Waveguide	: WC-229
REJECTION AT 3.5GHz	: ≥ 60 dB	Switching Voltage	: 11-14.5 V(V)/15.5-22V(H)
Conversion Gain	: 65dB(Typ)	Image Rejection	: 45dB(Min)
L.O. PHASE NOISE	: -65 dBc/Hz@1KHz	Output Power	: +5dBm(at 1 dB compression)
L.O. PHASE NOISE	: -95 dBc/Hz@10KHz	Output Connector	: Type "F" Female
L.O. PHASE NOISE	: -105 dBc/Hz@100KHz	Input Connector	: Circular W G with Horn Ring
Gain Flatness	: ± 4 dB		

02-9355-768-9



งานดาวเทียมไอเดียแซท



idesat@hotmail.com



@ideasat